

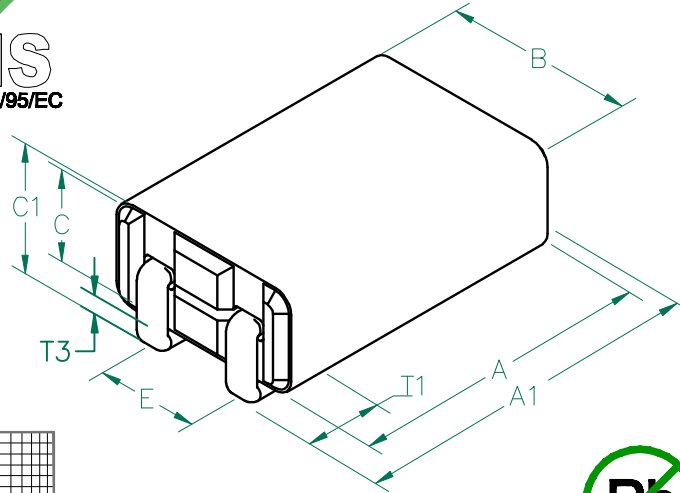
PHYSICAL DIMENSIONS:

| | | |
|----|-------------|---------------|
| A | 8.68 [.342] | ± 0.25 [.010] |
| A1 | 9.55 [.376] | MAX |
| B | 5.60 [.220] | ± 0.10 [.004] |
| C | 2.85 [.112] | ± 0.07 [.003] |
| C1 | 3.80 [.150] | ± MAX. |
| E | 2.84 [.112] | ± 0.10 [.004] |

WIRE DIMENSIONS:

| | | |
|----|-------------|---------------|
| T1 | 1.75 [.069] | ± 0.25 [.010] |
| T2 | 0.81 [.032] | REF. |
| T3 | 0.43 [.017] | REF. |

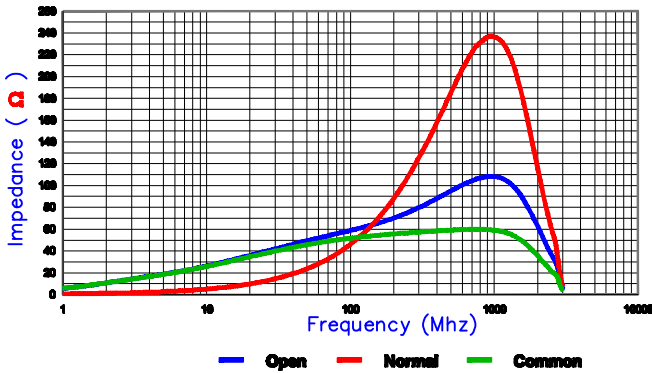
CM3421Y600R-10



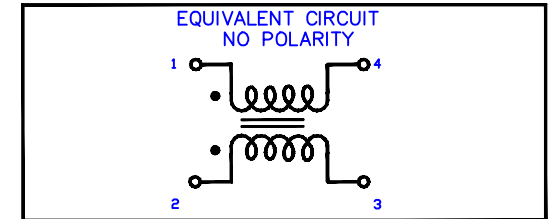
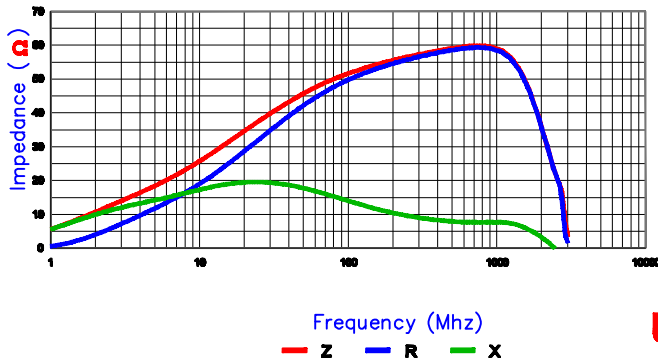
| ELECTRICAL CHARACTERISTICS: | | | |
|-----------------------------|-----------|---------|----------------------------|
| | Z in (Ω) | DCR (Ω) | Rated Current (Continuous) |
| | @ 100 MHz | | |
| Nominal (Ref.) | 60 | | |
| Minimum | 45 | | |
| Maximum | - | .00075 | 15,000 mA |

- NOTES: UNLESS OTHERWISE SPECIFIED
1. TAPED AND REELED per CURRENT EIA SPECS. 13" REELS, 2500 PCS PER REEL
 2. COMPONENTS SHOULD BE ADEQUATELY PREHEATED BEFORE SOLDERING.
 3. REF.CARRIER TAPE SPECIFICATION CART3322-03
 4. THIS PART HAS NO PIN POLARITY.
 5. TERMINATION FINISH IS 100% TIN.

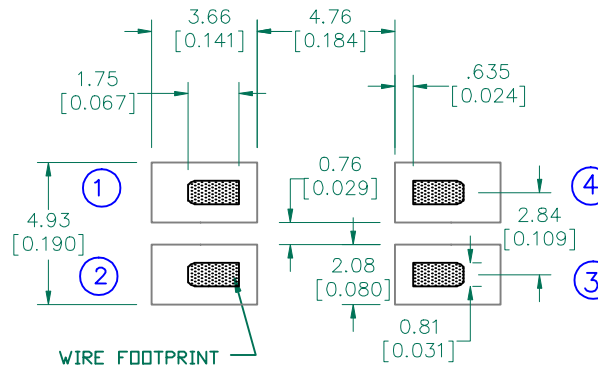
Z vs. Frequency (C, N, O)



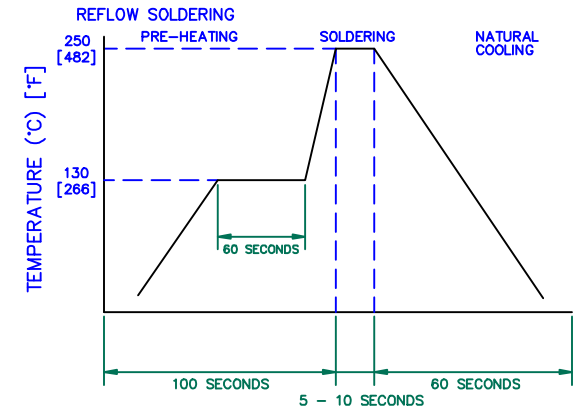
Z, R, X vs. Frequency COMMON MODE



LAND PATTERNS FOR REFLOW SOLDERING



RECOMMENDED SOLDERING CONDITIONS



UNCONTROLLED DOCUMENT

| DIMENSIONS ARE IN mm [INCHES]. | | | | THIS DOCUMENT CONTAINS INFORMATION WHICH IS PROPRIETARY AND CONFIDENTIAL TO STEWARD. NO PRODUCTION OR PUBLICATION OF THIS DOCUMENT IN WHOLE OR IN PART SHALL BE MADE WITHOUT WRITTEN AUTHORIZATION FROM STEWARD. | | | |
|--------------------------------|---|----------|-----|--|--------------|---------------|--|
| F | UPDATE COMPANY LOGO | 11/28/07 | JRK | | | | |
| E | INTERCHANGE DIMENSIONS A,B&C ADD EQUIVALENT CIRCUIT, REFLOW CHART | 03/30/06 | JRK | | | | |
| D | UPDATE BOTH CURVES ADD NEW TEST REF # | 02/02/06 | JRK | | | | |
| C | REMOVE REFLOW PATTERN ADD EQUIVALENT CIRCUIT DIAGRAM | 11/17/05 | JRK | | | | |
| B | CHANGE TOLERANCE ON T1 | 11/01/05 | JRK | | | | |
| A | ORIGINAL DRAFT | 07/27/05 | JRK | DATE: 07/27/05 | SCALE: 7 : 1 | SHEET: 2 of 3 | |
| REV | DESCRIPTION | DATE | INT | CAD # CM3421Y600R-10-F-2 | TOOL # H0220 | | |